

The RMS range of zone 1 fluorescent luminaires is manufactured from AISI304 stainless steel. The body is fabricated from a single sheet of steel with no invasive mounting holes to minimize the risk of water ingress through the housing. The tempered glass window minimizes the risk of light output loss over time due to polycarbonate yellowing. The RMS range is ideally suited for on and offshore and marine environments and all kinds of industry where there is a high level of corrosion.

Specifications

Material	Stainless Steel AISI 304/AISI316, 0.8 mm thickness and transparent part in tempered glass
IP Rating	IP66
Temperature	-20°C to 60°C
Approvals	
- Atex	INERIS 01ATEX0060
- Brazilian	08/UL-BRCP-0001
- GOST	GOST Certificat
Standards	EN/IEC: 60079-0, 60079-1, 60079-7, EN: 61241-0, 61241-1
Ex-code	<p>⊕ II 2 GD</p> <p>Ex de IIC T6 (-20°C to 40°C)</p> <p>Ex de IIC T5 (-20°C to 55°C)</p> <p>Ex de IIC T4 (-20°C to 60°C)</p> <p>Ex tD A21 IP66/67 T85°C / T100°C / T135°C</p> <p>According to European Directive 94/9/EC (ATEX) For Zone 1 / Zone 2, Zone 21 / Zone 22</p>
Gaskets	Special cross section tightness gasket, silicon rubber made (close cells) located in housing channel between body and window frame.
Entries	Body complete of two diam. 21mm through holes for cable entries, one complete of metallic plug with lock nut and gasket, and the other one with plastic plug for dust protection.
Hardware and Screw	AISI 304 Stainless Steel external hardware and screws
Lamps	Lampholder suitable for fluorescent two pins lamp type PHILIPS TL-D or similar (lamps excluded)
Lamps Wattage	18 / 36 W
Ballast	high-frequency electronic ballast
Rated operation voltage (UE)	220-240 V
Frequency	50 ÷ 60 Hz
Power factor	> 0.95
Accessories Available upon request	<p>Suspension mounting kit "G1" AISI 304 made</p> <p>Pole mounting kit "P12" 1 1/2" size AISI 304 made (not suitable for 18W emergency version)</p> <p>Wall mounting kit "H1" AISI 304 made</p> <p>Micro switch interlocked with "closing-opening device" of lighting fixture: when opening the frame-window the micro switch will cut out the power supply</p>
Emergency Service	RMS 560 lighting fixtures for Emergency Service are available: RMS 560...PNL/LE-P

Note Very low pollution at the end of operative life time of lighting fixtures. The inorganic materials used for RMS, like stainless steel and glass, allow a recycle of 95%, only electrical components and insulation of single core wires need some more care.

No through holes between inside and outside of luminaires, out of holes for power supply cable whatever protected by a suitable waterproof cable gland (on request). Therefore, during the time, release would be possible where, for fixing devices, there are through holes and relevant gaskets.



Lighting Fixtures for Normal Service

TYPE RMS 560*	CODE	LAMPS Num.	POWER [W]	Overall dimensions [mm]			WEIGHT [kg]
				A	B	C	
* 03/PNL	A.2227.01	1	1x18W TL-D	737	239	123	5.60
* 04/PNL	A.2230.01	2	2x18W TL-D	737	239	123	5.70
* 01/PNL	A.2231.01	1	1x36W TL-D	1347	239	123	8.90
* 02/PNL	A.2232.01	2	2x36W TL-D	1347	239	123	9.10
* 03/PNL/MS	A.2227.00	1	1x18W TL-D	737	239	123	5.65
* 04/PNL/MS	A.2230.00	2	2x18W TL-D	737	239	123	5.75
* 01/PNL/MS	A.2231.00	1	1x36W TL-D	1347	239	123	8.95
* 02/PNL/MS	A.2232.00	2	2x36W TL-D	1347	239	123	9.15

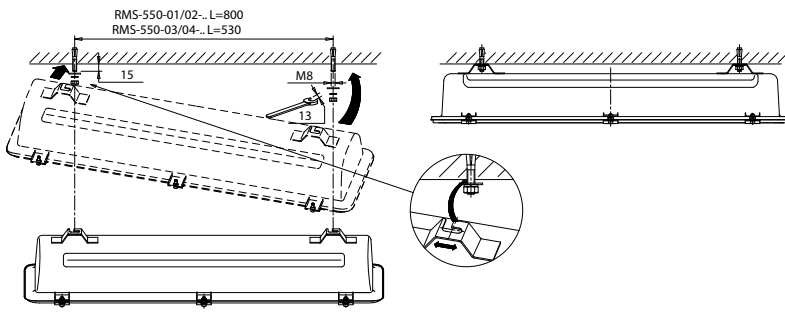
MS: with Micro-Switch

Lighting Fixtures for Emergency Service

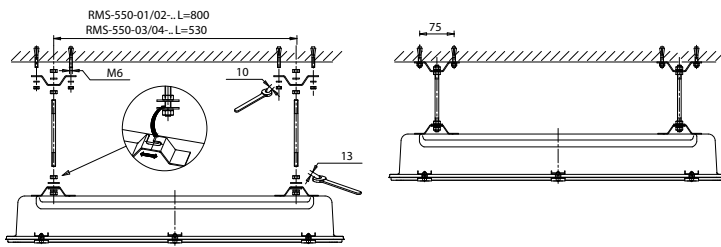
TYPE RMS 560*	CODE	LAMPS Num.	POWER [W]	Overall dimensions [mm]			WEIGHT [kg]
				A	B	C	
* 03/PNL/LE – P	A.2227.02	1	1x18W TL-D	737	239	173	9.50
* 04/PNL/LE – P	A.2230.02	2	2x18W TL-D	737	239	173	9.60
* 01/PNL/LE – P	A.2231.02	1	1x36W TL-D	1347	239	173	14.10
* 02/PNL/LE – P	A.2232.02	2	2x36W TL-D	1347	239	173	14.30

Emergency service on one lamp for 60' with constant lighting output,
Emergency service on one lamp for 90' with lighting output decreasing

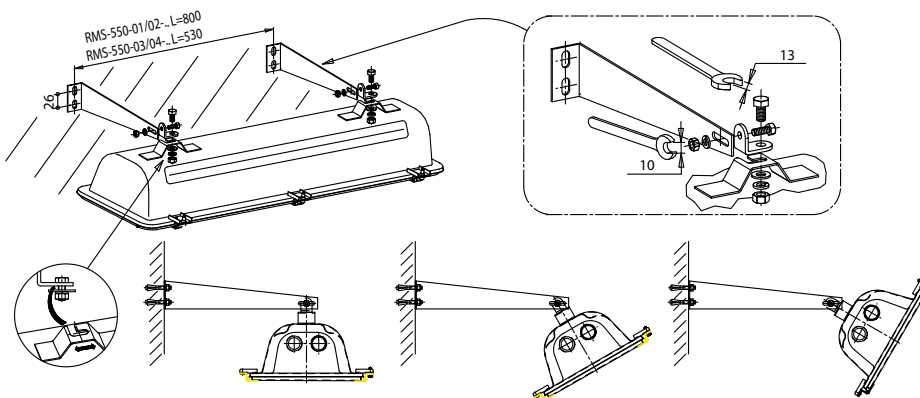




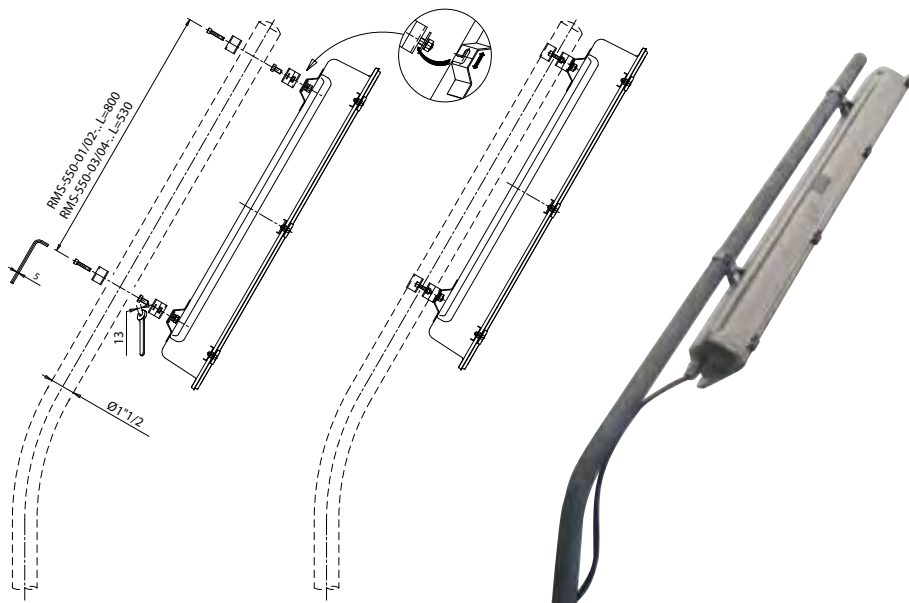
Ceiling mounting included in standard version



Suspension mounting kit "G1" type on request code: A 0530 75*



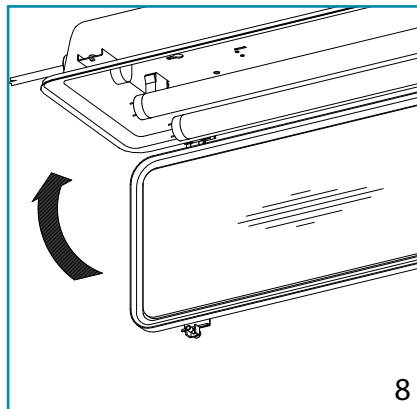
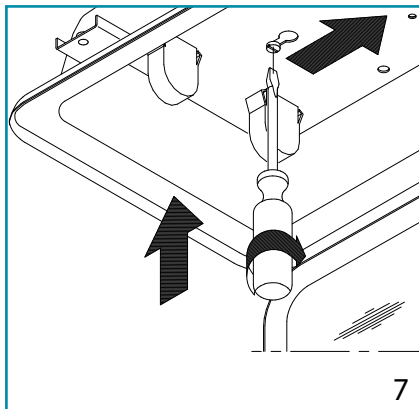
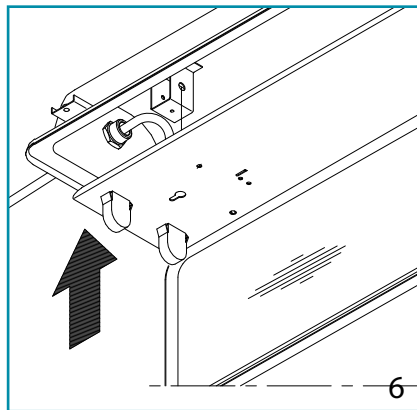
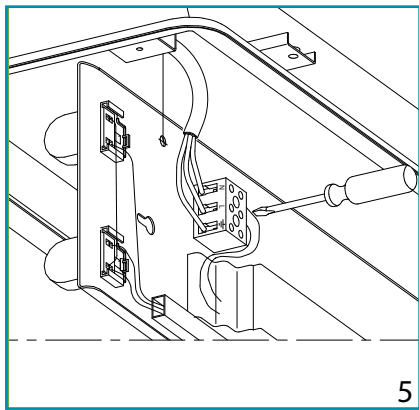
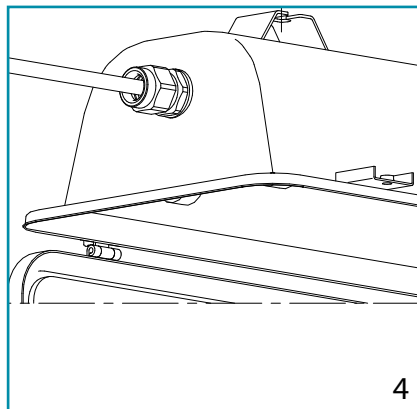
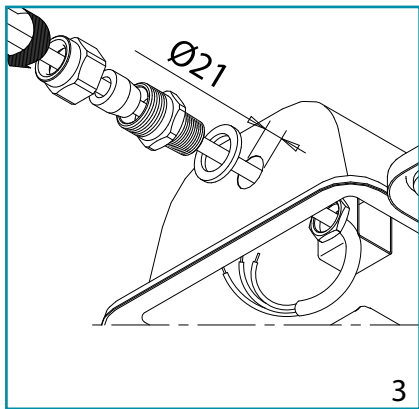
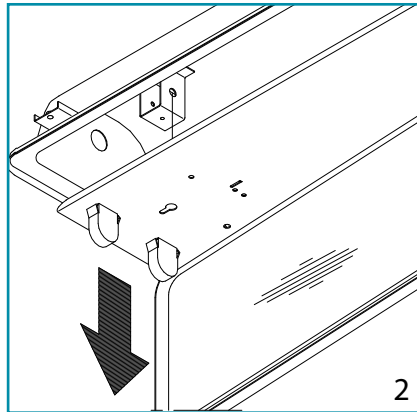
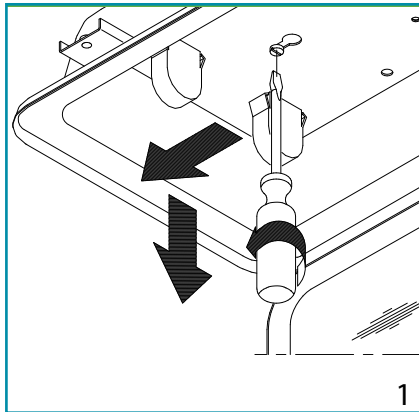
Wall mounting kit "H1" type on request code: A 0530 70*



Pole stanchion mounting kit "P12" type on request code: A 0530 71*

* not compatible with RMS-560-03 e 04 / PNL-LE emergency 18W only

All units are Stainless Steel made



RMS lighting fixtures mounting path

