

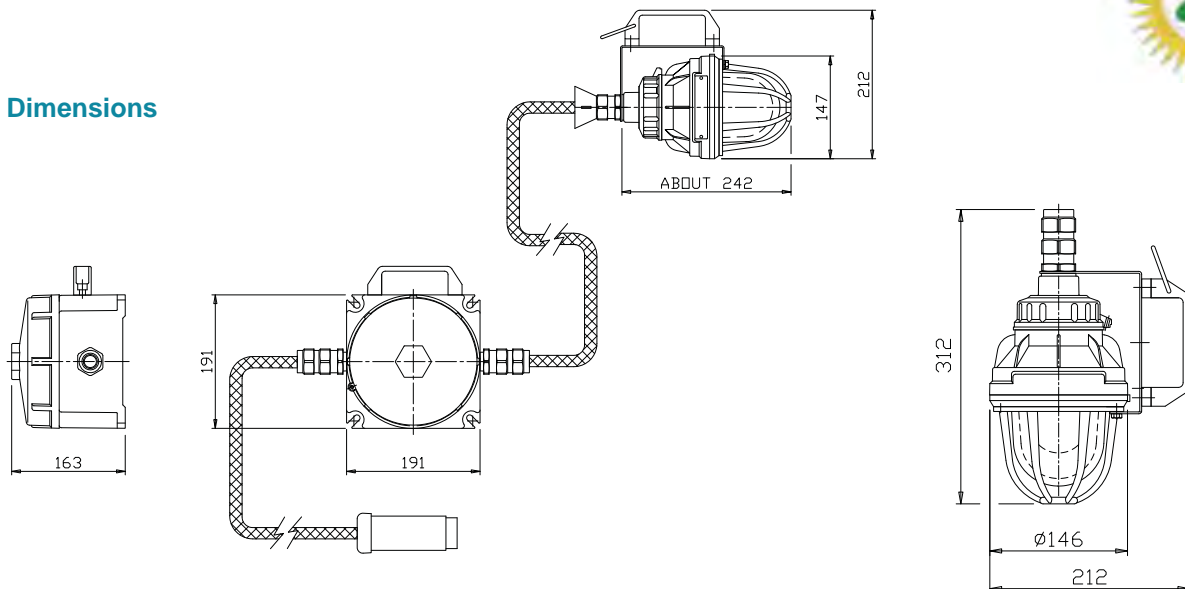
The EVA luminaire is manufactured in copper free aluminium and designed for use as a hand-lamp, complete with handle made of insulating material, protection guard and halogen lamp.

Specifications

Material	Copper-free aluminium (Cu<0.1%)
IP Rating	IP65-66
Temperature	-50°C to 60°C
Approvals	INERIS 01ATEX0019X GOST Certificate
Standards	EN/IEC: 60079-0, 60079-1 EN: 61241-0, 61241-1
Ex-code	⊕ II 2 GD Ex d IIC T4 / T3 Ex tD A21 IP65 T135°C / T200°C According to European Directive 94/9/EC (ATEX) For Zone 1/Zone 2, Zone 21/Zone 22
Gaskets	O-ring made in Nitrile Rubber (NBR)
Surface treatment	External polyurethane painting (RAL 6003)
Entries	Nr. 1 entry with cable gland PAT2
Hardware and Screw	Stainless steel external hardware
Lamps	Halogen lamp included
Lamps Wattage	42 or 70 watt
Rated operation voltage (UE)	230 V
Accessories	transformer 240/24V 100VA available upon request



Dimensions



Hand –lamp for halogen lamps
with transformer 240/24V 100VA

HAND LAMP for halogen Lamp (replacing the incandescent lamp)

Type	Code	Lamp W	Lamp Type	Voltage V	Weight kg
EVA-2/HA 42 (EVP 60)	A.0413.12	42 (old 60W inc)	Halogen (energy saver)	230V	3.10
EVA-2/HA 70 (EVP 100)	A.0413.13	70 (old 100W inc)	Halogen (energy saver)	230V	4.40



STL International Ltd
Hill Farm, Linton Hill
Linton, Maidstone
Kent, ME17 4AL
United Kingdom
tel. +44 (0)1622 749633
fax. +44 (0)1622 746800
email. solutions@stl-int.co.uk
web. www.stl-int.co.uk