

## TNCN

The TNCN range of 316 stainless steel Ex e enclosures are designed for use in any environment where an explosive atmosphere may be present and are especially recommended for chemical agent environments, sea-water corrosion resistance and extremes of low and high temperature.

### Specifications

<b>Material</b>	Acid Resistant Stainless steel AISI316L
<b>IP Rating</b>	IP66 (IP67 and IP68 upon request)
<b>Temperature</b>	-40°C to +40°C (T5) -40°C to +60°C (T6/T4) Option: -50°C to +200°C
<b>Approvals</b>	
- ATEX	DNV-2001-OSL-ATEX-0176 DNV-2008-OSL-ATEX-42438U
- IECEx	IECEx DNV 09.005U IECEx DNV 09.004
- CSA	CSA 2036776
- Brazilian	09/UL-BRCN-0001
- GOST	GOST Certificate
<b>Standards</b>	EN/IEC: 60079-0, 60079-7 EN:61241-0, 61241-1
<b>Ex-Code</b>	Ex e II T6/T4 / Ex [ia] IIC T6 Ex tD A21 T85°C - T110°C Ⓔ II 2 GD and EPL Gb/Db
<b>Cover gasket</b>	Silicone (temp. -40°C to +200°C)
<b>Surface treatment</b>	Acidized Pickling as standard Electropolished as an option
<b>Material thickness</b>	Min. 1.5 mm (depending on the box size)
<b>Earthing</b>	Internal earth bar/bracket External earth bracket
<b>Drain Plug</b>	Optional
<b>Gland Plate</b>	Optional



**Terminal box: maximum heat dissipation - number of terminals**

Maximum heat dissipation	
Box type	Max. dissipated power at Tamb=40°C
121009	6 W
151510	15 W
202010	20 W
202015	20 W
302015	30 W
282815	30 W
383815	40 W
575715	90 W

The maximum dissipated power level for terminal box sizes not listed in the above table is equal to the nearest smaller size box.

### Fixing dimensions

Box type	X (mm)	Y (mm)
121009		151
151510		181
202010	230	160
202015	230	160
302015	230	260
282815	310	240
383815	410	340
575715	600	530

### TNCN Range of stocked boxes

Type	A Width (cm)	B Height (cm)	C Depth (cm)	Volume (dm³)	Weight (kg)
121009**	12	10	9	1.08	1.5
151510**	15	15	10	2.25	2.5
202010	20	20	10	4.00	3.00
202015	20	20	15	6.00	3.5
302015	30	20	15	9.00	5.0
282815	28	28	15	11.76	5.2
383815	38	38	15	21.66	8.1
575715	57	57	15	48.74	16.4

TNCN Measurement Table – range of stocked boxes.

Other sizes are available upon request. The boxes are delivered as standard with left hinged covers held to the enclosure by screws.

Quick locks, screws only, or other systems can be delivered upon request.

\*\* No hinges – screws only

A or B Width/ Height (cm)	C Depth (cm)	M20	M25
15	10	8	6
	15	12	9
	20	16	12
	27	24	15
20	10	10	10
	15	15	15
	20	25	20
	27	35	30
30	10	15	14
	15	24	21
	20	40	28
	27	56	42
38	10	20	18
	15	30	27
	20	50	36
	27	70	54
40	10	22	18
	15	3	27
	20	55	36
	27	77	54
45	10	24	20
	15	36	30
	20	60	40
	27	84	60
57	10	32	26
	15	48	39
	20	80	52
	30	128	78
76	10	42	36
	15	63	54
	20	105	72
	27	147	108

### Entry Matrix

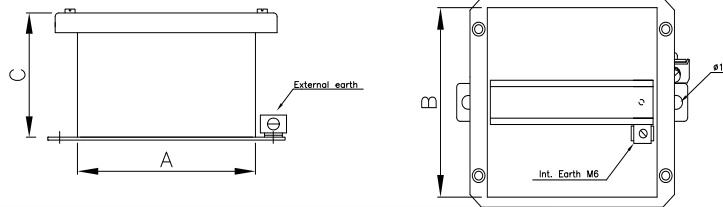
This table lists our recommendations for the maximum quantity of glands for installation in 1 face (the width column in the table) on TNCN Junction Boxes.

**Note:** Recommended quantity. MCT-frames can be fitted in boxes with a minimum depth of 20 cm.

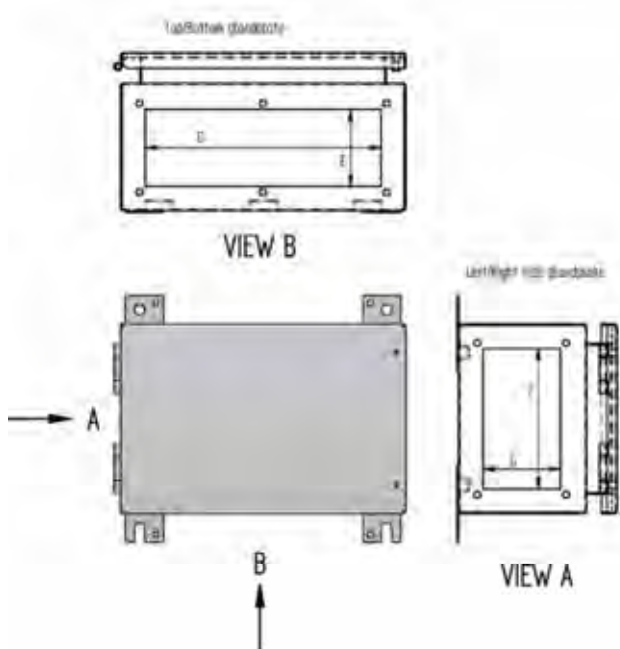
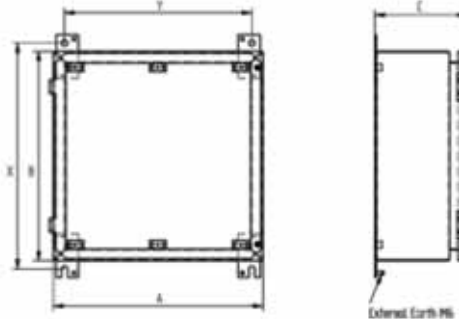


### Dimensions

#### TNCN 121009/151509



#### TNCN 202010-575715



Box	Top/Bottom		Side (L+R)	
	A	B	C	D
202010	148	36	148	81
202015	148	81	148	81
302015	248	81	148	81
282815	228	81	228	81
383815	328	81	328	81
575715	518	81	518	81



STL International Ltd  
 Hill Farm, Linton Hill  
 Linton, Maidstone  
 Kent, ME17 4AL  
 United Kingdom  
 tel. +44 (0)1622 749633  
 fax. +44 (0)1622 746800  
 email. solutions@stl-int.co.uk  
 web. www.stl-int.co.uk