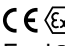


The CP EFDCN range of control stations are based on the features of our CP enclosure, which offers an Ex d IIC mode of protection with or without accessories (push buttons, selector switches, potentiometers, signal lamps, rotary handles, ammeters, voltmeters, fuses, etc.). Enclosures are manufactured in copper free aluminium (Cu<0.1%) and completed with threaded hubs suitable for cable glands or conduit and internal threaded devices to secure DIN/Omega normalized rails for terminal strips. Connection of cable glands or conduit does not affect the internal void, which remains available for terminals and wiring. Internal and external screws are AISI304 stainless steel. This series is custom-made to customer specifications, including quantity and type of operators. Based on the customer's needs and certificate requirements, our technical department will advise and select the most suitable CP-.../EFDCN combination or you may choose from the standard configurations listed below.

Specifications

Material	Copper free Aluminium (Cu <0.1%)	
IP Rating	IP65-66	
Temperature	-35°C to 40°C for T6 / T85°C -35°C to 50°C for T5 / T100°C -35°C to 60°C for T4 / T135°C	
Approvals	INERIS 03ATEX0009 GOST Certificate	
- ATEX - GOST		
Standards	EN/IEC: 60079-0, 60079-1, 60079-7, 60079-18, EN: 61241-0, 61241-1	
Ex-code	 II 2 GD Ex d IIC T6 / T5 / T4 Ex tD A21 IP65 T85°C / T100°C / T135°C according to European Directive 94/9/EC (ATEX) For Zone 1 / Zone 2, Zone 21 / Zone 22	
Lid / Door gasket	O-ring made in Nitrile Rubber (NBR)	
Surface treatment	Unpainted	
Electrical characteristics	Max DC voltage	440 V
	Max AC voltage	1000 V
	Nominal frequency	50 / 60 Hz
	Max current	100 A
	Nominal incandescent lamp power	≤ 5 W
	Max. LED lamp dissipated power	≤ 3 W
Internal diameter	Available from 90 mm. to 120 mm.	
Entries position	(C) = 2, (T) = 3, ways	
Entries thread	Metric pitch 1.5, ANSI B1.20.1 NPT, UNI 6125	
Standard identification	Identification nameplate is realized in high resistance self-adhesive polyester with thermal transfer inscriptions	



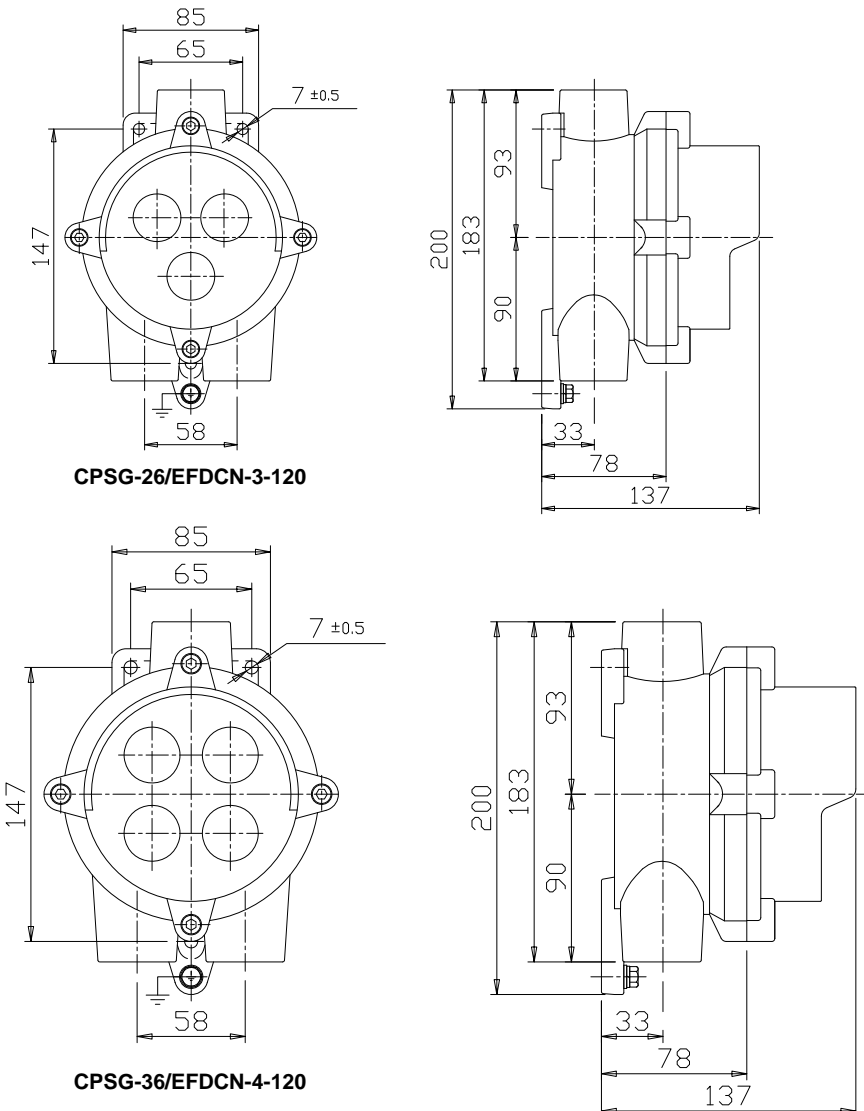


This series is custom-made to customer specifications, including the number and type of operators (M32 modular barrels) required on the CP-... enclosure. Based on the customers needs and certificate requirements, our technical department will advise and select the most suitable CP.../EFDCN combination.

Push button stations listed in the following table are “not assembled”, they are only examples of the possible combinations.

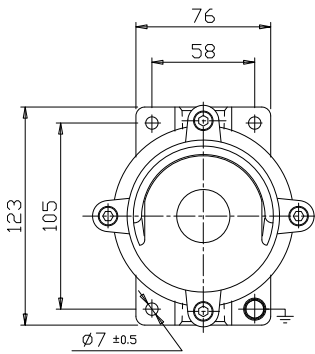
CODE	TYPE	DESCRIPTION	ENTRIES	WEIGHT
A.0451.10	CPC-26/ EFDCN-1-90	1 Operator - enclosure 90 mm. diameter	2xM25	0.930
A.0452.50	CPSC-26/ EFDCN-1-120	1 Operator on 120 mm enclosure's diameter	2xM25	1.330
A.0452.20	CPSC-26/ EFDCN-2-120	2 Operator on 120 mm enclosure's diameter	2xM25	1.280
A.0452.30	CPSC-36/ EFDCN-3-120	3 Operator on 120 mm enclosure's diameter	2xM32	1.300
A.0452.40	CPSC-36/ EFDCN-4-120	4 Operator on 120 mm enclosure's diameter	2xM32	1.320
A.0452.50	CPSG-26/ EFDCN-1-120	1 Operator on 120 mm enclosure's diameter	3xM25	1.500
A.0452.60	CPSG-36/ EFDCN-2-120	2 Operator on 120 mm enclosure's diameter	3xM25	1.450
A.0452.70	CPSG-36/ EFDCN-3-120	3 Operator on 120 mm enclosure's diameter	3xM32	1.470
A.0452.80	CPSG-36/ EFDCN-4-120	1 Operator on 120 mm enclosure's diameter	3xM32	1.490
A.0493.01	CPC-26/EFDCN-EM	1 Emergency push botton complete with breakable glass and hummer	2xM25	1.200
A.0493.21	CPC-26/EFDCN-EM-P	1 Emergency push botton complete with breakable glass and hummer. The push button, normally open, will automatically close the circuit at the breaking of the glass.	2xM25	1.200
A.0494.01	CPC-26/EFDCN-PE	Footswitch with safety guard	2xM25	3.200

Dimensions

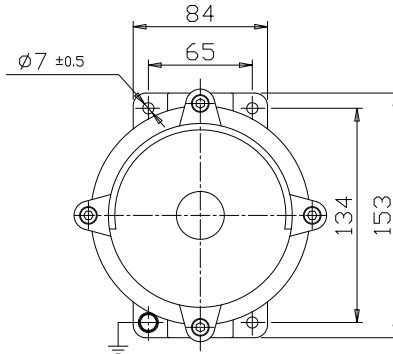




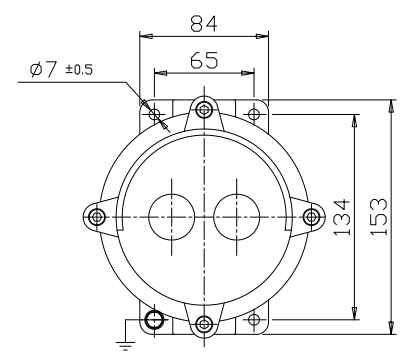
Dimensions



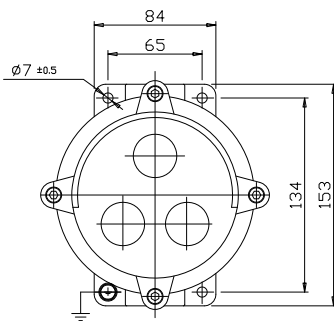
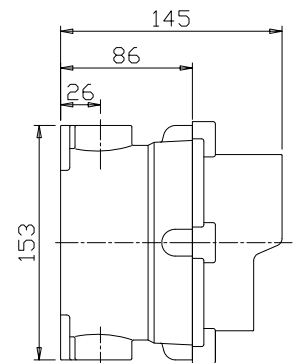
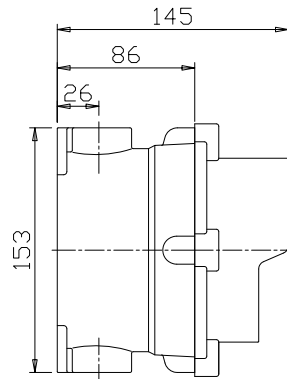
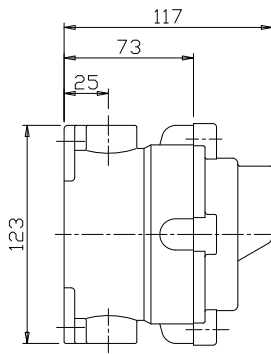
CPC-26/EFDCN-1-90



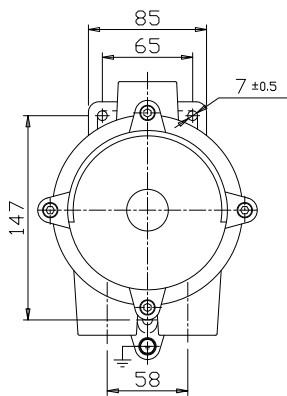
CPSC-26/EFDCN-1-120



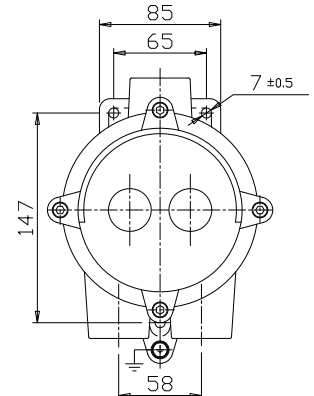
CPSC-26/EFDCN-2-120



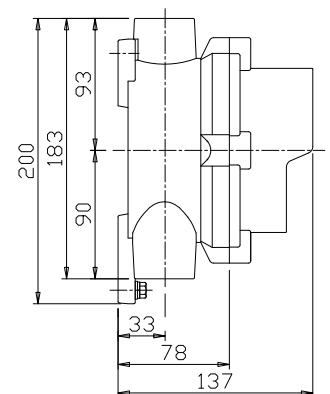
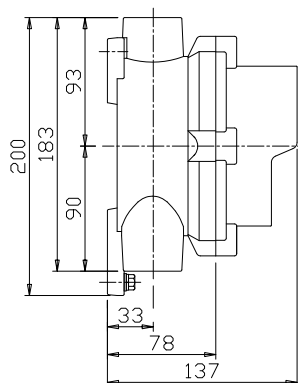
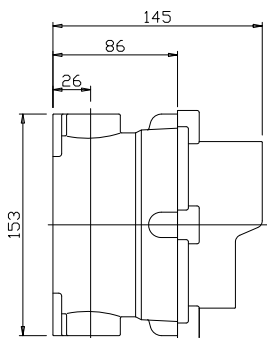
CPSC-26/EFDCN-3-120



CPSG-26/EFDCN-1-120



CPSG-26/EFDCN-2-120



The CP EFSRC range of enclosure for switches are based on the features of our CP enclosure, which offers an Ex d IIC mode of protection with or without accessories (pushbuttons, selector switches, potentiometers, signal lamps, rotary handles, ammeters, voltmeters, fuses, etc.). Enclosures are manufactured in copper free aluminium (Cu<0.1%) and completed with threaded hubs suitable for cable glands or conduit and internal threaded devices to secure DIN/Omega normalized rails for terminal strips. Connection of cable gland or conduit does not affect the internal void, which remains available for terminals and wirings. Internal and external screws are AISI304 stainless steel.

This series is customized to customer specifications, including the number and type of operators (M32 modular barrels) required on the enclosure. Based on the customer requirements, our technical department will advise and select the most suitable CP-.../EFSRC combination.

Specifications

Material	Copper free aluminium (Cu<0.1%)	
IP Rating	IP65-66	
Temperature	-35°C to 40°C for T6 / T85°C -35°C to 50°C for T5 / T100°C -35°C to 60°C for T4 / T135°C	
Approvals	- Atex INERIS 03ATEX0009 - GOST GOST Certificate	
Standards	EN/IEC: 60079-0, 60079-1, 60079-7, 60079-18, EN: 61241-0, 61241-1	
Ex-code	CE Ex II 2 GD Ex d IIC T6 / T5 / T4 Ex tD A21 IP65 T85°C / T100°C / T135°C according to European Directive 94/9/EC (ATEX) For Zone 1 / Zone 2, Zone 21 / Zone 22	
Lid / Door gasket	O-ring made in Nitrile Rubber (NBR)	
Surface treatment	Unpainted	
Electrical characteristics	Max. DC voltage	440 V
	Max. AC voltage	1000 V
	Nominal frequency	50 / 60 Hz
	Max. current	100 A
	Nominal incandescent lamp power	≤ 5 W
	Max. LED lamp dissipated power	≤ 3 W
Internal diameter	90 mm.	
Entries position	(C) = 2	
Entries thread	Metric pitch 1.5, ANSI B1.20.1 NPT, UNI 6125	
Standard identification	Identification nameplate is realized in high resistance self-adhesive polyester with thermal transfer inscriptions	
Accessories on request	External polyurethane painting "Standard Cycle" Green RAL 6003	





Switches listed in the following table are “not assembled”, they are only examples of the possible combinations.

CODE	TYPE	DESCRIPTION	ENTRIES	WEIGHT
A.0451.02	CPC-26/ EFSRC-220	Rotary switch 2 poles 20 A	2XM25	1.100
A.0451.04	CPC-26/ EFSRC-420	Rotary switch 4 poles 20 A	2XM25	1.150
A.0452.04	CPC-26/ EFSRC-432	Rotary switch 4 poles 32 A	2XM25	1.300
A.0453.02	CPC-26/ EFSRC- D - 220	Change - over switch 2 poles 20 A	2XM32	1.150
A.0453.03	CPC-26/ EFSRC- D - 320	Change - over switch 3 poles 20 A	2XM32	1.200
A.0454.02	CPC-26/ EFSRC- C - 220	Step switch 2 poles 20 A	2XM25	1.150
A.0454.03	CPC-26/ EFSRC- C - 320	Step switch 3 poles 20 A	2XM25	1.300

