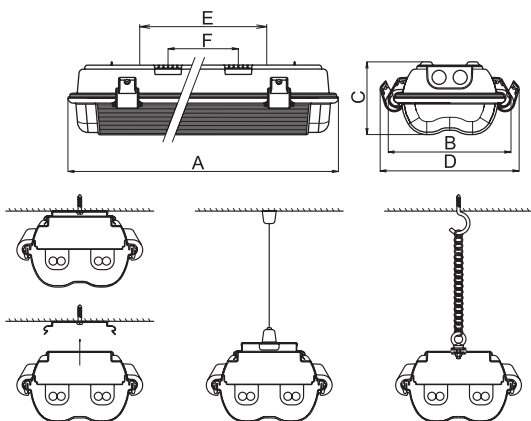


## Emergency lighting fixtures Аварийные светильники

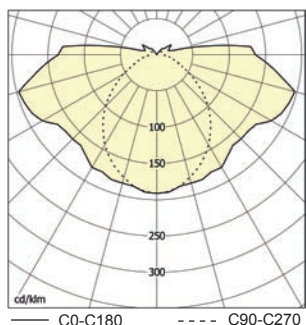


F - spacing of self-locking fastening springs  
Шаг на крепление самокрепящихся клипсов

E - spacing of suspension brackets  
Шаг на крепление петель



BASET-I, 1x11W, IP 66



**Application:** indoor and outdoor areas with high IP requirements and requirements for emergency lighting.  
Series BASET – for non-maintained emergency mode  
Series MULTIBASET- for maintained emergency mode

**Body:** ABS or PC

**Cover:** SAN or PC

**Clips:** PC

**Reflector:** white painted metal sheet. Polished aluminium reflector on request.

**Fastening system:** direct fastening on the base with self-locking clips, suspension with self-locking cable suspender, suspension with brackets.

The fixtures are equipped with the lamp DULUX S / E 9W / 21 or DULUX S / E 11W / 21.

Technical parameters of the fixtures are referred in table on page 142.



STL International Ltd  
Hill Farm, Linton Hill  
Linton, Maidstone  
Kent. ME17 4AL  
United Kingdom  
tel. +44 (0)1622 749633  
fax. +44 (0)1622 746800  
email. solutions@stl-int.co.uk  
web. www.stl-int.co.uk

Order no	Model	ht		[kg]
		A x B x C x D x E x F		

**- luminaires for non-maintained emergency mode/ Светильники для непостоянного аварийного режима**

52042	BASET-I-111-PMMA, 1 x 11W, 1h	TC-SEL/2G7	338 x 186 x 105 x 210 x 232 x 100	1,5
52007	BASET-I-111-PC, 1 x 11W, 1h			
52037	BASET-I-109-PMMA, 1 x 9W, 1h			
52039	BASET-I-109-PC, 1 x 9W, 1h			
52024	BASET-I-111-PMMA, 1 x 11W, 3h			
52025	BASET-I-111-PC, 1 x 11W, 3h			
52008	BASET-I-109-PMMA, 1 x 9W, 3h			
52018	BASET-I-109-PC, 1 x 9W, 3h			

**- luminaires for maintained emergency mode/ Светильники для постоянного аварийного режима**

52043	MULTIBASET-I-111-PMMA, 1 x 11W, 1h	TC-SEL/2G7	338 x 186 x 105 x 210 x 232 x 100	1,6
52005	MULTIBASET-I-111-PC, 1 x 11W, 1h			
52038	MULTIBASET-I-109-PMMA, 1 x 9W, 1h			
52044	MULTIBASET-I-109-PC, 1 x 9W, 1h			
52026	MULTIBASET-I-111-PMMA, 1 x 11W, 3h			
52027	MULTIBASET-I-111-PC, 1 x 11W, 3h			
52009	MULTIBASET-I-109-PMMA, 1 x 9W, 3h			
52019	MULTIBASET-I-109-PC, 1 x 9W, 3h			

**- lighting fixtures for central battery system/ Светильники для центральной аккумуляторной системы**

51996	BASET-CB-PC-111-EP, 1x11W, IP66	TC-SEL/2G7	338 x 186 x 105 x 210 x 232 x 100	1,6
51997	BASET-CB-PMMA-111-EP, 1x11W, IP66			
51998	BASET-CB-PC-109-EP, 1x9W, IP66			
51999	BASET-CB-PMMA-109-EP, 1x9W, IP66			

**- special accessories/ Особое оснащение**

51106	Plastic suspension bracket with accessories/ Подвесная пластмассовая завесная петля с принадлежностями
1540	Steel suspension chain - polished (1 pack = 5 kg)/ Стальная подвесная цепочка полированная (упаковка 5кг)
8001	M20 cable gland, grey, seal incl./ Заглушка M20 серая, включая уплотнения
8501	M20 sealing plug, seal incl./ Пробка M20 серая, включая уплотнения и гайки
51131	Self-locking cable suspender - VIPET 2x, POINTER (2 pcs)/ Самозажимный подвес - VIPET 2x, POINTER (2 шт.)
3571	Stainless steel clip POINTER, VIPET/ Зажим из нержавеющей стали - POINTER, VIPET
1718	Stainless steel fixing spring VIPET - 2x, POINTER/ Подвесной хомут из нержавеющей стали - VIPET 2x, POINTER

**- technical parameters/ технические параметры MULTIBASET - I**

Description	Duration	Lamp / luminous flux	Luminous flux factor
MULTIBASET-I, 1 x 9W	3 h	9W/600lm	100%/15%
MULTIBASET-I, 1 x 11W	3 h	11W/900lm	100%/15%
MULTIBASET-I, 1 x 9W	1 h	9W/600lm	100%/13%
MULTIBASET-I, 1 x 11W	1 h	11W/900lm	100%/13%

Duration = rated period of emergency mode

Автономность = номинальный период длительности аварийного режима

**- technical parameters/ технические параметры BASET - I**

Description	Duration	Lamp / luminous flux	Luminous flux factor
BASET-I, 1 x 9W	3 h	9W/600lm	15%
BASET-I, 1 x 11W	3 h	11W/900lm	15%
BASET-I, 1 x 9W	1 h	9W/600lm	13%
BASET-I, 1 x 11W	1 h	11W/900lm	13%