



5 year warranty

GALGO-LED

IP 65



Application: GALGO-LED light fixture with dust and water jets resistance is designed for areas with high risk of damage, i.e prison cells, psychiatric hospitals, gyms and pedestrian subways.

Ballast: electronic ballast 220-240V/50-60 Hz AC, 176-280 V DC

Body: White painted metal sheet RAL 9003

Cover: Plastic material PC (polycarbonate), impact resistance - **120J**

Fastening: Direct fastening on ceiling or wall lighted area

Connection: Screwless terminal block for outside easy installation,

max. diameter of wires 2,5 mm²; light fixture is ready to connect two wires

Calculated lifetime - LED modules: L80B10 ta30 - 70 000h
L70B10 ta30 - 100 000h

On request: Em - non-maintained emergency lighting (1h, 3h)

MULTI - maintained emergency lighting (1h,3h)

1/3 F - one or three phase through-wiring connection

DIM - dimmable electronic ballast (DSI, DALI)

RAL - another colour finish

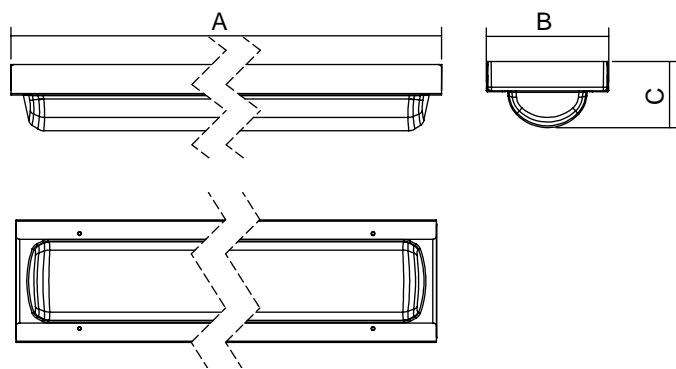
NANO - light fixture protected by special nanolayer (hydrophobic, oleophobic or antibacterial protection)

NEREZ - body from stainless steel metal sheet

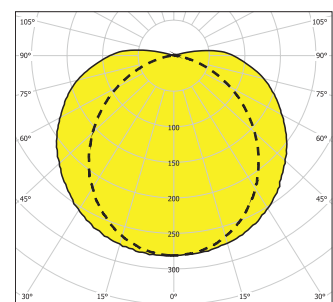
2.7K-6.5K - colour temperature

		Tc/A	(lm)*	(W)**	ArB/C (mm)
-20°C ≤ t_a ≤ +60°C					
051773	GALGO-LED-2500-136-4K	4000	2135	20	1301 x 196 x 108
051774	GALGO-LED-5000-236-4K	4000	4513	34	1301 x 196 x 108
-20°C ≤ t_a ≤ +50°C					
051776	GALGO-LED-3750-158-4K	4000	3203	34	1600 x 196 x 108
051777	GALGO-LED-7500-258-4K	4000	6406	51	1600 x 196 x 108
-20°C ≤ t_a ≤ +40°C					
051770	GALGO-LED-1250-118-4K	4000	1068	9	691 x 196 x 108
051771	GALGO-LED-2500-218-4K	4000	2137	20	691 x 196 x 108
051772	GALGO-LED-5000-218-4K	4000	4271	34	691 x 196 x 108
051775	GALGO-LED-10000-236-4K	4000	8541	68	1301 x 196 x 108
051778	GALGO-LED-12550-258-4K	4000	11427	82	1600 x 196 x 108
- special equipment					
004579	TORX security screw M5x12				
004586	BIT25 tool for screw M5x12				
- special equipment					
004579	TORX security screw M5x12				
004586	BIT25 tool for screw M5x12				

(lm)* - luminous flux, (W)** - input power



GALGO-LED-10000-236-4K



— C0-C180 - - - C90-C270

STL International Ltd

Hill Farm, Linton Hill, Maidstone, Kent, ME17 4AL, UK T. +44 (0)1622 749633 eMail. solutions@stl-int.co.uk Web. www.stl-int.co.uk

LIGHTING FIXTURES FOR HIGH RISK OF DAMAGE